



Suzhou UKT New Energy Technology CO.,LTD.

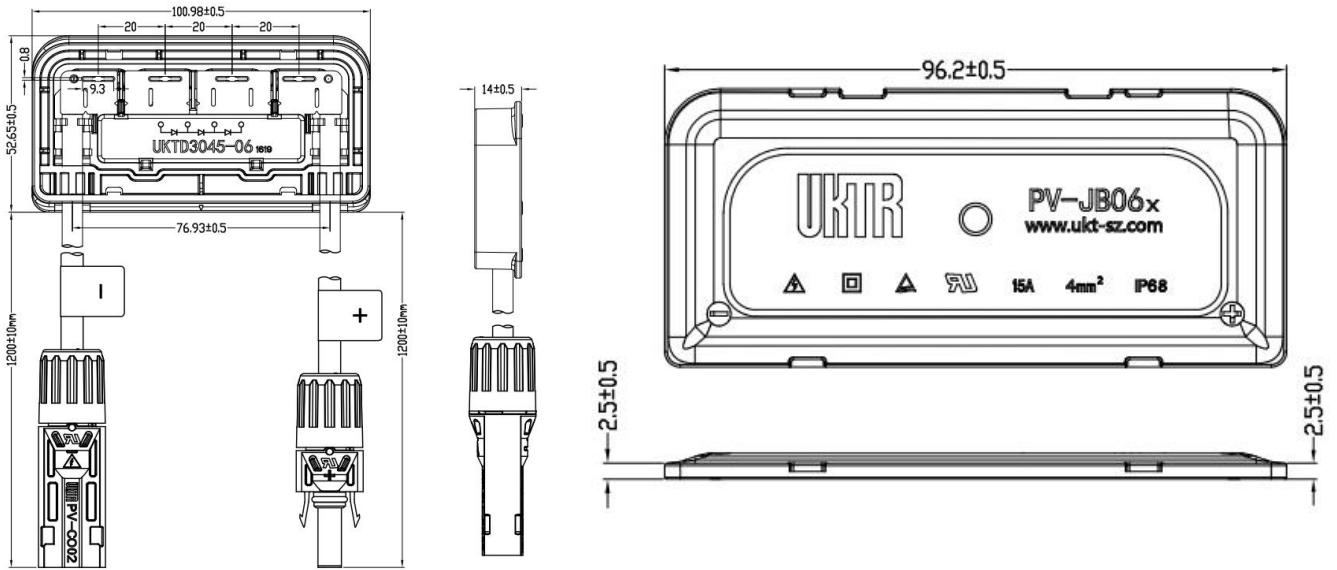
SPECIFICATION OF Reliable-Box PV-JB06x(For Component)

Our Part No.厂内	Customer Part No.客户料号

APPROVED BY 核准人:

Please return one copy with your signature if you can approve.

APPROVED 批准	CHECKED 审核	ENGINEERING 制定



主要技术参数 Main Technical Parameters

产品型号 Product Model	PV-JB06x
额定电压 Rated Voltage	1500V
额定电流 Rated Current	15A
认证标准 Certification Standards	IEC62790/UL3730
防护等级 Degree Of Protection	IP68
灌胶体积 Potting Volume	17.8mL
二极管数量 Number Of Diode	1*3
汇流带连接方式 Busbar Connection	Soldering
整体电阻 Internal Resistance	$\leq(2 \text{ 根线长} * 5 + 5) \text{ m}\Omega$
脉冲耐压 Rated Impulse Voltage	16KV
防污染等级 Pollution Degree	I
安全等级 Protection Level	Class II
使用温度 Ambient Temperature	-40°C~85°C
线缆规格 Cable Specifications	4mm ² /12AWG
导体材料 Conductor Material	Copper 紫铜
连接器规格 Connector	PV-CO02
外形尺寸 Dimensions	100.98mmX52.65mmX14mm